



UNIVERSITY OF PETROLEUM AND ENERGY STUDIES
End Semester Examination, December 2021

Course: Formal Language and Automata Theory
Program: B.TECH CS LLB
Course Code: CSEG2024

Semester: III
Time 03 hrs.
Max. Marks: 100

Instructions:

SECTION A

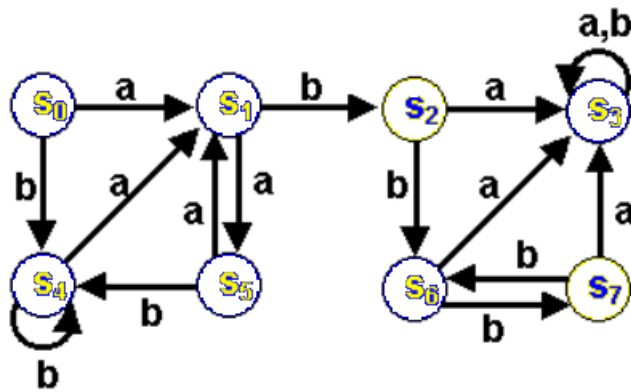
(5Q X 4M = 20 Marks)

S. No.	Question	CO
Q 1	Construct a DFA that is defined over $\Sigma = \{a, b, c\}$ that accepts all strings having consecutive "abc".	CO 3
Q 2	Construct a PDA that accepts all strings recognized by the language $L = \{a^n b^n, n > 0\}$	CO 4
Q 3	Explain what Left Recursion is and state how we can remove left recursion.	CO 3
Q 4	Differentiate between Mealey and Moore machines.	CO 2
Q 5	"We need to use automata without outputs even though we have automata with outputs", Comment.	CO 1

SECTION B

(4Q X 10M = 40 Marks)

Q 6	In order to find out a regular expression of a Finite Automaton, we use Arden's Theorem along with the properties of regular expressions. Statement – "Let P and Q be two regular expressions. If P does not contain null string, then $R = Q + RP$ has a unique solution that is $R = QP^*$ " Prove the Arden's Theorem.	CO 1
Q 7	Construct a Mealey Machine that gives 2's compliment of any Binary Input. (Assume that the least carry bit as neglected).	CO 1
Q 8	Let L1 and L2 be two regular languages. Prove that the language $L=L1 \cap L2$ is also regular. OR Reduce the following DFA:	CO 2



Q 9 Convert the following grammar G into Greibach Normal Form (GNF).
 $S \rightarrow XA|BB$
 $B \rightarrow b|SB$
 $X \rightarrow b$
 $A \rightarrow a$

CO 3

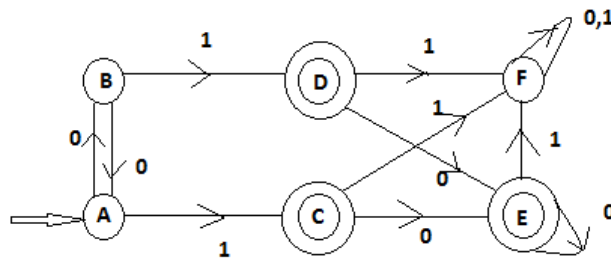
SECTION-C

(2Q X 20M = 40 Marks)

Q 10 Answer the following questions
 i. Explain Regular Expressions and Finite Automata
 ii. Draw DFA which accepts even number of a's over the alphabet {a, b}.
 iii. Explain DFA State Minimization.
 iv. Explain the Limitations of Finite Automata

CO 2

Q 11 Explain the Myhill-Nerode Theorem. Apply the theorem to minimize the following given DFA.



Or

Using Pumping Lemma for CFL prove that the following Grammar are NOT Context Free:

1. $L = \{a^n : n \text{ is prime}\}$
2. $L = \{a^n b^j : n \leq j^2\}$
3. $L = \{w : n_a(w) < n_b(w) < n_c(w)\}$
4. $L = \{a^k b^j c^k : k = jn\}$

CO4